

Technical data

Explosion-proof motor switches BLK-63/□/□/□

Explosion protection

Gas explosion protection

II 2 G Ex d IIC T6 Gb

Dust explosion protection

II 2 D Ex t IIIC T80°C Db IP66

Certificates

DNV 12 ATEX 1179X; IECEx CQM 12.0037X

Conformity to standards

EN 60079-0:2009, EN 60079-1:2007, EN 60079-31:2009
IEC 60079-0:2007, IEC 60079-1:2007, IEC 60079-31:2008

Enclosure material

Copper-free aluminium; powder coated surface

Enclosure colour

Window grey (RAL7040)

Exposed fastener

Stainless steel

Circuit breaker

MCB (mini circuit breaker)

Max. working voltage

440V AC 50/60Hz

Rated voltage

1P/230V AC, 2P/3P/4P/400V AC 50/60Hz

Rated current

1A, 2A, 4A, 6A, 10A, 16A, 20A, 25A, 32A, 40A, 50A, 63A

Pole number

1P, 2P, 3P, 4P

Breaking capacity

6kA, 10kA, 15kA

Impulse withstand voltage

6kV

Tripping characteristic

Instantaneous tripping range (5–10) In, (7–10) In or (10–14) In

Degree of protection

IP66

Ambient temperature

-80°C~+55°C

Cable entries

Standard 1~16A: 2 x M25 x 1.5 plug

20~32A: 2 x M32 x 1.5 plug

40~63A: 2 x M40 x 1.5 plug

Cable gland (optional)

DQM-II (Ex d) or DQM-III (Ex d) is recommended. Please see P7/20–25

Entry direction

Bottom

Enclosure weight

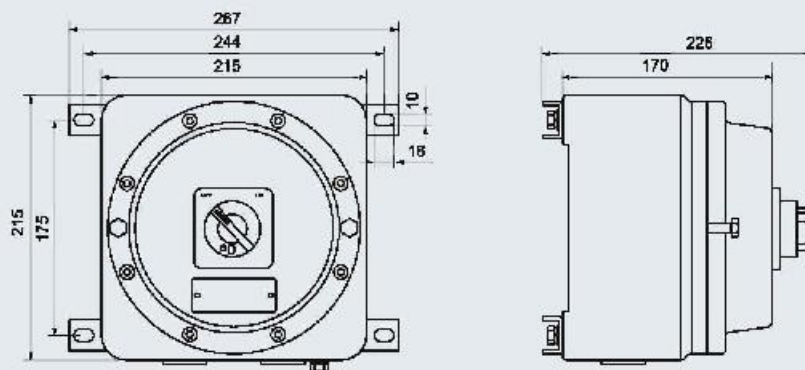
6.50kg

Electric leakage protection

On request



Dimension drawings (all dimensions in mm) - subject to alteration



BLK-63/□/□/□

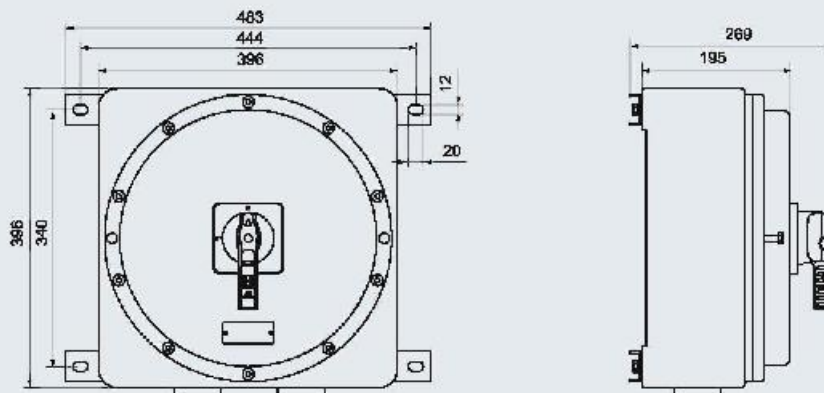
Technical data

Explosion-proof motor switches **BLK-160/□/□/□**

Explosion protection	<p>Gas explosion protection Ex II 2 G Ex d IIC T6 Gb</p> <p>Dust explosion protection Ex II 2 D Ex t IIC T80°C Db IP66</p>
Certificates	DNV 12 ATEX 1179X; IECEX CQM 12.0037X
Conformity to standards	EN 60079-0:2009, EN 60079-1:2007, EN 60079-31:2009 IEC 60079-0:2007, IEC 60079-1:2007, IEC 60079-31:2008
Enclosure material	Copper-free aluminium; powder coated surface
Enclosure colour	Window grey (RAL7040)
Exposed fastener	Stainless steel
Circuit breaker	MCCB (moulded case circuit breaker)
Rated working voltage	890V AC 50/60Hz 500V DC
Rated working current	80A, 100A, 125A, 160A
Pole number	3P, 4P
Breaking capacity	380/415V AC 50/60Hz, 36kA/50kA 440V AC 50/60Hz, 30kA/45kA
Impulse withstand voltage	8kV
Tripping device	Thermomagnetic type
Degree of protection	IP66
Ambient temperature	-60°C~+55°C
Cable entries	Standard 80~100A, 2 x M50 x 1.5 plug 125~160A, 2 x M63 x 1.5 plug
Cable gland (optional)	DQM-II (Ex d) or DQM-III (Ex d) is recommended. Please see P7/20~25
Entry direction	Bottom
Enclosure weight	21.00kg
Electric leakage protection	On request



Dimension drawings (all dimensions in mm) - subject to alteration



BLK-160/□/□/□