

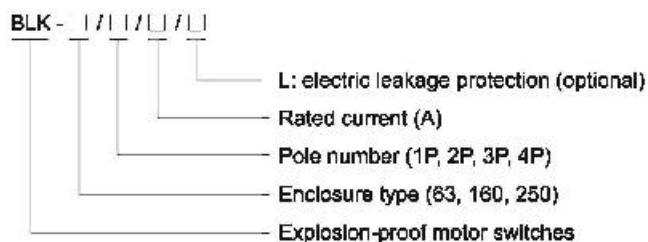


Motor Switches

BLK Series Explosion-proof Motor Switches

- ◆ Explosion protection to
 - CENELEC
 - IEC
 - NEC
- ◆ Can be used in
 - Zone 1 and Zone 2
 - Zone 21 and Zone 22
 - Class I, Zone 1 and Zone 2
 - Class I, Division 1, Groups C, D
 - Class I, Division 1, Groups A, B, C, D
- ◆ Classified as IIB or IIC according to different gas atmospheres.
- ◆ Copper-free aluminium enclosure; powder-coated surface.
- ◆ Built-in MCB (mini circuit breaker), MCCB (moulded case circuit breaker).
- ◆ Electric leakage protection device is optional.

■ Catalogue number logic



■ Note

1. Please select the model by catalogue number logic above, and specify all technical data;
2. Please specify explosion-proof mark when ordering;
3. Entry size and direction on request.

Zones 1&2; 21&22

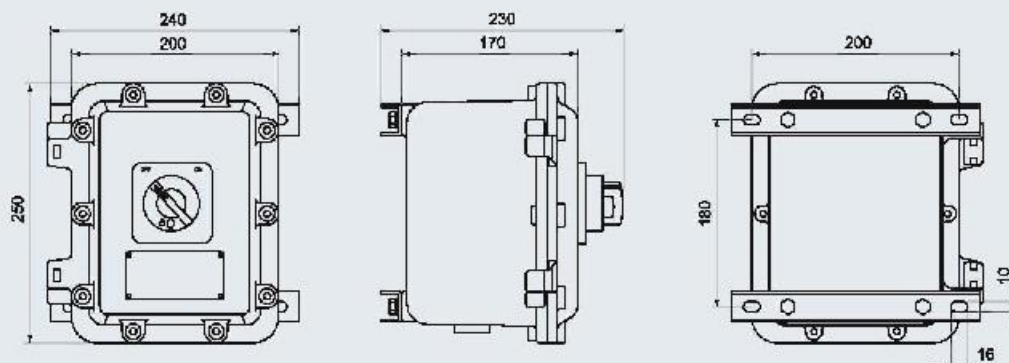
Technical data

Explosion-proof motor switches **BLK-63/□/□/□**

Explosion protection	
Gas explosion protection	II 2 G Ex d IIB T6
Dust explosion protection	Ex tD A21 T80°C IP65
Certificates	
For gas explosion protection	LCIE 06 ATEX 6091; IECEx LCI 08. 0009
For dust explosion protection	PCEC (China)
Conformity to standards	EN 60079-0:2004, EN 60079-1:2004 IEC 60079-0:2004, IEC 60079-1:2003, IEC 61241-0:2004, IEC 61241-1:2004
Enclosure material	Copper-free aluminium; powder coated surface
Enclosure colour	Window grey (RAL7040)
Exposed fastener	Stainless steel
Circuit breaker	MCB (mini circuit breaker)
Max. working voltage	440V AC 50/60Hz
Rated voltage	1P/230V AC, 2P/3P/4P/400V AC 50/60Hz
Rated current	1A, 2A, 4A, 6A, 10A, 16A, 20A, 25A, 32A, 40A, 50A, 63A
Pole number	1P, 2P, 3P, 4P
Breaking capacity	6kA, 10kA, 15kA
Tripping characteristic	Instantaneous tripping range (5~10) In, (7~10) In or (10~14) In
Impulse withstand voltage	8kV
Degree of protection	IP65
Ambient temperature	-20°C~+55°C
Cable entries	Standard 1~16A: 2 x M25 x 1.5 plug 20~32A: 2 x M32 x 1.5 plug 40~63A: 2 x M40 x 1.5 plug
Cable gland (optional)	DQM-II (Ex d) or DQM-III (Ex d) is recommended. Please see P7/20~25
Entry direction	Bottom
Enclosure weight	8.00 kg
Electric leakage protection	On request



Dimension drawings (all dimensions in mm) - subject to alteration



BLK-63/□/□/□