

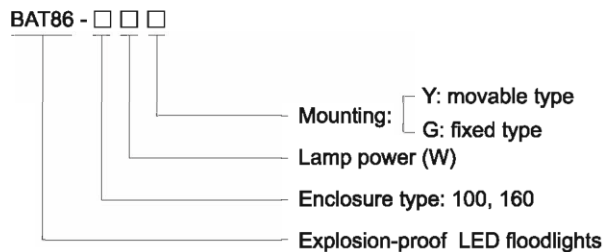


## Floodlights

### BAT86 Series Explosion-proof LED Floodlights

- ◆ Explosion protection to
  - CENELEC
  - IEC
  - NEC
- ◆ Can be used in
  - Zone 1 and Zone 2
  - Zone 21 and Zone 22
  - Class I, Zone 1 and Zone 2
  - Class I, Division 2, Groups A, B, C, D
  - Class I, Division 1, Groups C, D
- ◆ Applicable lamp and power (max.160W):
  - LED lamps, energy-saving and long service life
  - 50W, 70W, 100W, 120W, 160W.
- ◆ Two enclosure types: 100, 160.
- ◆ Isolated LED lamp compartment, CC-CV (constant current - constant voltage) power controller compartment, terminal compartment; wind-convection heat dissipation structure.

### Catalogue number logic



### Selection table

Type/Ordering code	Lamp power (W)	Weight (kg)	Type/Ordering code	Lamp power (W)	Weight (kg)
BAT86-100-50G	50	10.80	BAT86-100-50Y	50	11.80
BAT86-100-70G	70	10.80	BAT86-100-70Y	70	11.80
BAT86-100-100G	100	10.80	BAT86-100-100Y	100	11.80
BAT86-160-120G	120	8.40	BAT86-160-120Y	120	10.20
BAT86-160-160G	160	8.40	BAT86-160-160Y	160	10.20

**Note:** The product is supplied according to "Type/Ordering code" in the table with mounting accessories.

## Zones 1&2; 21&22

### Technical data

#### Explosion-proof LED floodlights BAT86-100-□□

##### Explosion protection

Gas explosion protection

II 2 G Ex de IIC T5 Gb

Dust explosion protection

II 2 D Ex tb IIIC T95°C Db IP66

##### Certificates

PCEC(China); LCIE 13 ATEX\_\_\_\_; IECEX; FM (USA); GOST.R (Russia)

##### Conformity to standards

EN 60079-0: 2009, EN 60079-1: 2007, EN 60079-7: 2007, EN 60079-31: 2009  
IEC 60079-0: 2011, IEC 60079-1: 2007, IEC 60079-7: 2006, IEC 60079-31: 2008

##### Material

Enclosure

Copper-free aluminium, powder coated surface, yellow (RAL1021)

Glass cover

Toughened glass, stands 4J impact

Power controller

Wide voltage input, CC-CV (constant current - constant voltage) output, power factor  $\geq 0.98$ , with function of distributed current, constant current, surge-proof and anti-electromagnetic interference, and protection against overcurrent, open circuit, and short circuit

Exposed fastener

Stainless steel

##### Lamp

Lamp specification

CREE plural white LED modules

Lamp power (W)

50W, 70W, 100W

##### Rated voltage

187~265V AC 50/60Hz

##### Earthing protection

M5 (internal & external earth bolts)

##### Degree of protection

IP66

##### Ambient temperature

-40°C~+55°C

##### Terminal

3 x 1.5~4mm<sup>2</sup> (L+N+PE)

##### Mounting

Movable type, fixed type

Note: Fixed type can be used in horizontal type ceiling type, wall type, etc.

##### Cable entries

G3/4" (NPT3/4" or M25 x 1.5 with reducer on request.)

##### Cable gland

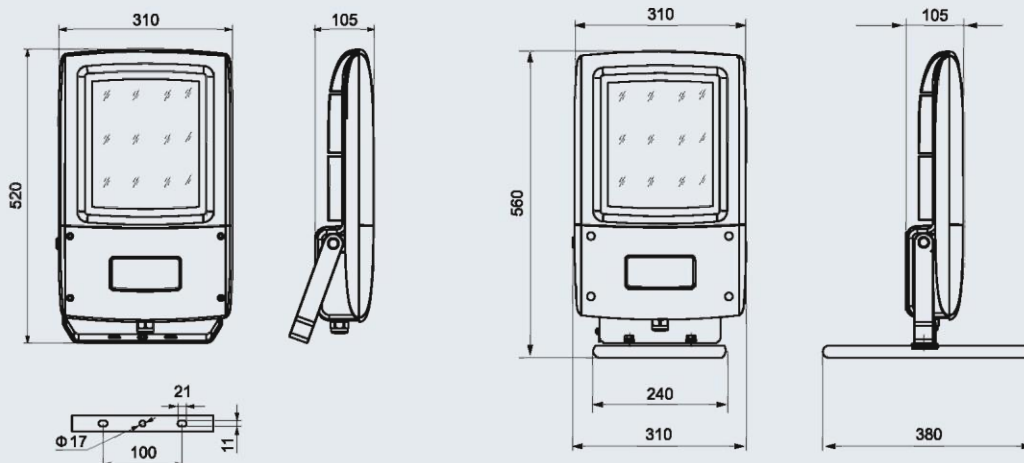
1 x G3/4" cable gland (DQM-I Ex e, carbon steel)

##### Applicable cable outer diameter

Φ10~Φ14 (mm)



### Dimension drawings (all dimensions in mm) - subject to alteration



G: fixed type

Y: movable type

## Floodlights

### BAT86 Series Explosion-proof LED Floodlights

#### Technical data

#### Explosion-proof LED floodlights BAT86-160-□□

##### Explosion protection

Gas explosion protection

⊕ II 2 G Ex d IIB T5 Gb

Dust explosion protection

⊕ II 2 D Ex tb IIIC T95°C Db IP66

##### Certificates

LCIE 13 ATEX\_\_\_\_; IECEX; FM (USA); GOST.R (Russia)

##### Conformity to standards

EN 60079-0: 2009, EN 60079-1: 2007, EN 60079-31: 2009

IEC 60079-0: 2011, IEC 60079-1: 2007, IEC 60079-31: 2008

##### Material

Enclosure

Copper-free aluminium, powder coated surface, yellow (RAL1021)

Glass cover

Toughened glass, stands 4J impact

Power controller

Wide voltage input, CC-CV (constant current - constant voltage) output, power factor  $\geq 0.98$ , with function of distributed current, constant current, surge-proof and anti-electromagnetic interference, and protection against overcurrent, open circuit, and short circuit

Exposed fastener

Stainless steel

##### Lamp

Lamp specification

COB LED modules

Lamp power (W)

120W, 160W

##### Rated voltage

100~300V AC 50/60Hz

##### Earthing protection

M5 (internal & external earth bolts)

##### Degree of protection

IP66

##### Ambient temperature

-40°C~+55°C

##### Terminal

3 x 1.5~4mm<sup>2</sup> (L+N+PE)

##### Mounting

Movable type, fixed type

##### Cable entries

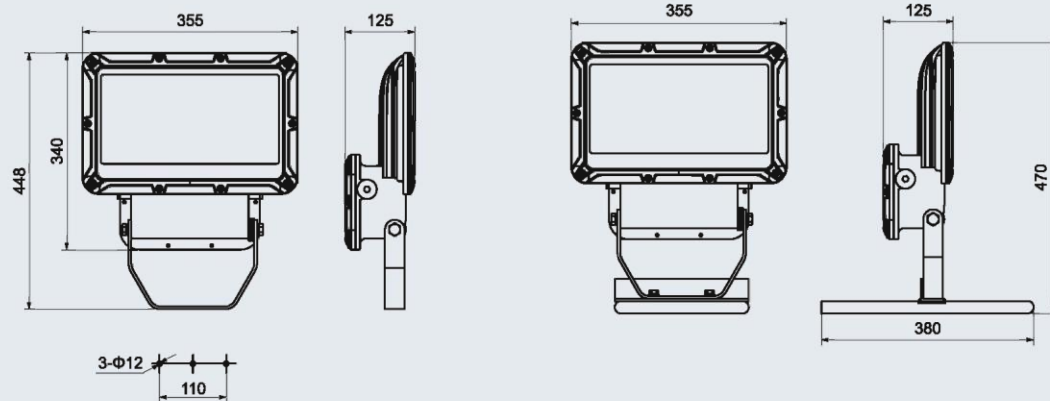
2 x M25 x 1.5 plug

##### Cable gland

DQM-II (Ex d) or DQM-III (Ex d) is recommended. Please see P7/20~25.



#### Dimension drawings (all dimensions in mm) - subject to alteration



G: fixed type

Y: movable type

### Photometric data

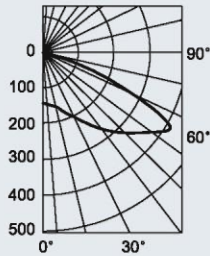
#### BAT86-100

##### Photometric data of 100W LED lamp

Rated luminous flux: 9000lm;

The data from CREE lamp;

Luminous intensity distribution cd/1000lm



Angle	CP	Angle	CP
0	1259	50	2650
5	1305	55	3015
10	1351	60	3380
15	1397	65	2265
20	1493	70	1150
25	1589	75	35
30	1685	80	0
35	1885	85	0
40	2085	90	0
45	2285		

50W LED lamp\*0.5

70W LED lamp\*0.7

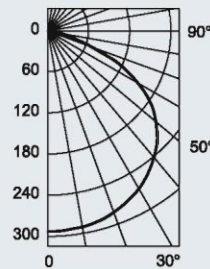
#### BAT86-160

##### Photometric data of 160W LED lamp

Rated luminous flux: 15000lm;

The data from CREE lamp;

Luminous intensity distribution cd/1000lm



Angle	CP	Angle	CP
0	4005	50	2372
5	3995	55	2013
10	3995	60	1637
15	3886	65	1252
20	3788	70	911
25	3661	75	495
30	3506	80	210
35	3239	85	7
40	3025	90	5
45	2721		

120W LED lamp\*0.75

We can provide lighting design and data by professional lighting software DIALUX based upon simulated site situation on request.

### Accessories

Picture	Name	Ordering code	Weight (kg)
	Power controller 50W	86001	0.60
	Power controller 70W	86002	0.60
	Power controller 100W	86003	0.60
	Power controller 120W	86004	0.05
	Power controller 160W	86005	0.05
	LED Lamp module 50W	86006	0.01
	LED Lamp module 70W	86007	0.01
	LED Lamp module 100W	86008	0.01
	LED Lamp module 120W	86009	1.02
	LED Lamp module 160W	86010	1.02